

# IF25 The Current Loop to RS232 Converter

Distributed by:

## Celsum Technologies Ltd

Willow House, 17 Braemar Close  
Mountsorrel, UK - LE12 7ES

Tel: +44-(0)116-210-6577 Fax: +44-(0)870-120-9370  
Email: sales@celsum.com  
Web: <http://www.celsum.com>



### Introduction

The IF25 provides for an electrically isolated method of communication from one, or a number of ADP15, LCA15 and ADW15 instruments to an intelligent host, which may be a personal computer, mini, mainframe or PLC.

Each IF25 can accommodate up to 25 instruments and an interconnection between IF25's allows for a total of

254 instruments to be addressed from one intelligent host.

With a 20mA high noise immunity current loop provided between instrument and IF25, a distance of up to 1Km can be used, without affecting the chosen baud rate of the system.

### Features

- Electrically isolated to 20mA loop to RS2323
- For connection to most intelligent host
- Upto 25 instruments to each IF25
- Multiple IF25's for upto 254 instruments

### Case Construction

High impact polystyrene, with a separate field terminal compartment. Hinged clear lid, sealed to IP64.

### Dimensions

	Width	Height	Depth
External	213	180	98
Internal	203	115	62

### Input Voltage

110/240V AC link selectable

### Signal Voltage

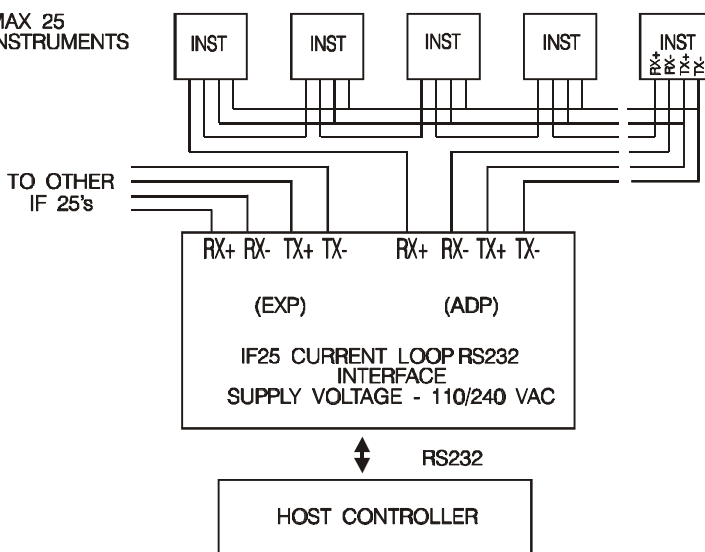
50V DC fused at 500mA current loop

### RS232 Input Logic 'O'

20mA line drive

### RS232 Input Logic 'I'

6mA line drive



In the interests of continued product development, Mantracourt Electronics Limited reserves the right to alter product specifications without prior notice. ©